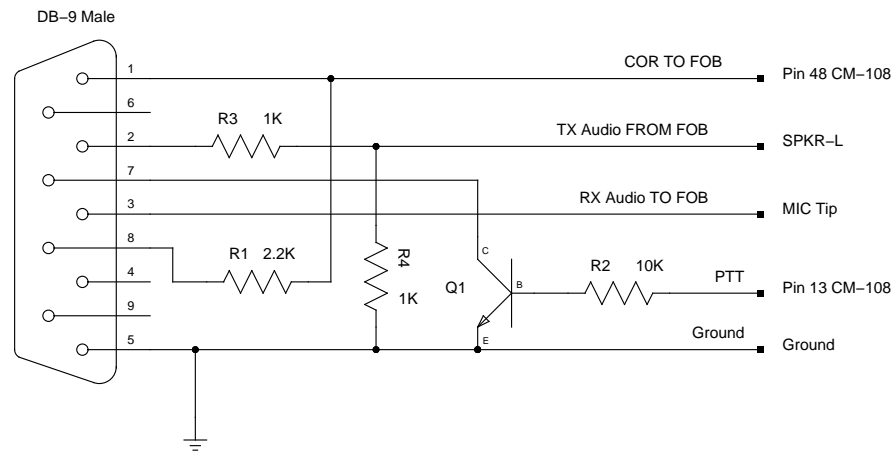


Alinco DR-135 MK III
(No Internal TNC)



USB Sound FOB
(CM-108)

Notes:

- 1) Use the 9600 baud input pins (not 1200)
- 2) Select Func/SqI (display square wave Icon)
- 3) carrierfrom=usbinvert in usbradio.conf
- 4) rxboost=0
- 5) rxmod=flat
- 6) invertptt=0
- 7) Carrier Present COR=LOW (.37V)
- 8) Carrier NOT present COR=HIGH (2.81V)
- 9) DC Blocking capacitors were included on the FOB
- 10) Removed the 3.5MM connectors on the FOB
- 11) Did NOT install the BAT-43 diode.

Alinco DR-135 MK III USB FOB Interface

TITLE

FILE: Alinco-FOB-Interface

REVISION: 1.0

PAGE 1 OF 1

DRAWN BY: Stu Mitchell, W7IY