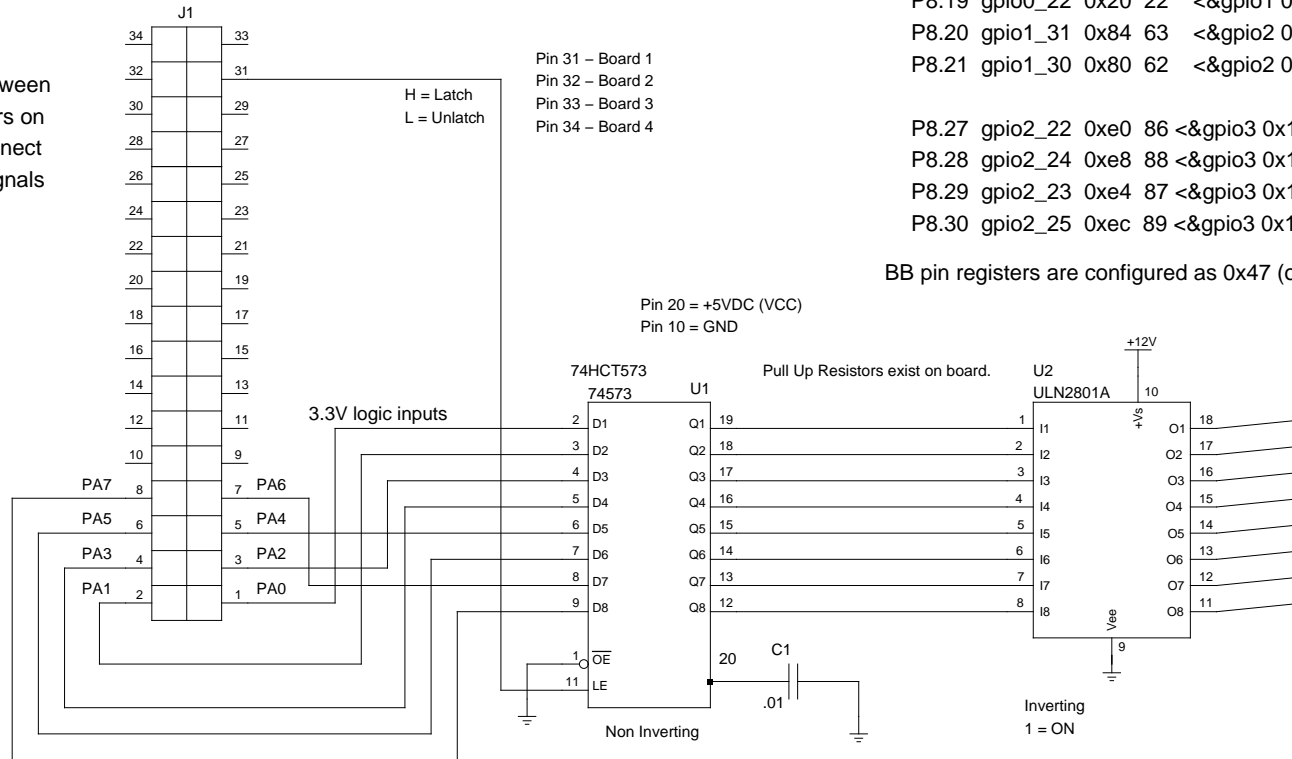


Add jumpers between 34 Pin connectors on ET-REL8 to connect Board Select signals to next board.



Pin 31 – Board 1
 Pin 32 – Board 2
 Pin 33 – Board 3
 Pin 34 – Board 4

Pin 20 = +5VDC (VCC)
 Pin 10 = GND

Pull Up Resistors exist on board.

Inverting
 1 = ON

Solder IC to jumper pins.

Beaglebone Pins, Functions, Offsets and J1

```

=====
JP8.14 gpio0_26 0x28 26 <&gpio1 0x1A 0x0> PA0 1
P8.15 gpio1_15 0x3c 47 <&gpio2 0x2F 0x0> PA1 2
P8.16 gpio1_14 0x38 46 <&gpio2 0x2E 0x0> PA2 3
P8.17 gpio0_27 0x2c 27 <&gpio1 0x1B 0x0> PA3 4
P8.18 gpio2_1 0x8c 65 <&gpio3 0x41 0x0> PA4 5
P8.19 gpio0_22 0x20 22 <&gpio1 0x16 0x0> PA5 6
P8.20 gpio1_31 0x84 63 <&gpio2 0x3F 0x0> PA6 7
P8.21 gpio1_30 0x80 62 <&gpio2 0x3E 0x0> PA7 8

P8.27 gpio2_22 0xe0 86 <&gpio3 0x16 0x0> B1 31
P8.28 gpio2_24 0xe8 88 <&gpio3 0x18 0x0> B2 32
P8.29 gpio2_23 0xe4 87 <&gpio3 0x17 0x0> B3 33
P8.30 gpio2_25 0xec 89 <&gpio3 0x19 0x0> B4 34
  
```

BB pin registers are configured as 0x47 (outputs and pull downs)

TITLE			
FILE:		REVISION:	
PAGE	OF	DRAWN BY:	

Output Interface Circuit